




Hospital Beds

ELECTRIC HOSPITAL BEDS

ELECTRIC ICU BED MULTI-FUNCTION

	<p>Specification:</p> <ul style="list-style-type: none">Frame work made of Rectangular M.S TubeMS Mattress platform in four sectionsBack Rest, Knee Rest, TB/RTB and Hi-Lo Positions obtained by electric actuator operator by hand remote systemABS molded head and foot bowsABS track away safety side RailingTelescopic IV Rod with Two LocationsChair / Flat PositionNurse Panel controlBed Mounted on 125 mm Dia Castor with central Braking systemOverall Size: 210 L x 90W x 50 -70HcmsFinish: Epoxy Powder Coated
---	---

ELECTRIC ICU BED (TUCK AWAY ABS SIDE RAILS)

	<p>Specification:</p> <ul style="list-style-type: none">Four Independent Electric Motors2-Section Tuck Away ABS Side rails with Safety Lock3-Section Perforated CRC sheet and backrest having X-Ray translucent top with cassette tray.Removal and Lockout ABS Head & Foot BoardCentral Brake System, Mounted on 125mm Dia castor.ABS Corner BumperDrainage Bag HooksFour I.V. Pole SocketsI.V. Pole StorageFinish: Epoxy Powder CoatedAvailable with removable I.V. Pole
---	---



ELECTRIC FOWLER BED (2 Function)



Specification:
Overall approx Size: 2030mm x 900mm x 600 mm
Frame work made of rectangular M.S. tubes
Perforated CRC Sheet top in four sections
Backrest and Kneerest Positions by electric actuator operator by Hand Remote System
ABS Moulded Head & Foot Bows
ABS Moulded Safety side railings
Telescopic I.V. Rod with 4 locations
Bed Mounted on 100mm Deluxe Castors, two with brakes
Pre Treated and Epoxy powder Coated.

ELECTRIC SEMI-FOWLER BED



Specification:
Frame Work made of rectangular M.S. tubes
Overall approx size: 1900mm x 900mm x 600mm
Perforated CRC sheet top in two sections
Backrest positions obtained by electric actuator operator by hand remote system.
Telescopic IV Rod with Four Locations
Aluminium collapsible safety side railings
Bed mounted on 100mm deluxe castors, two with brakes
ABS moulded head and foot bows
Pre Treated & Epoxy Powder Coated Finish



Electric Delivery Bed



Specification:

Electrically operated height and backrest adjustment
 Battery back-up
 Dual-side manual CPR levers
 Easy-to-operate head-down tilt to 12°
 Compact size to fit into small delivery rooms
 Telescoping leg section that reduces the overall length of the bed, allowing maximum access to mother and baby
 Wide choice of safe and comfortable positions that can be adopted during labor and delivery
 Comprehensive range of easy-to-fit accessories including stirrups leg rests, hand grips, high and low foot supports, a removable step and a fluid collection bowl
 Convenient storage for accessories, available as a mobile system or a wall-mounted rack
 Easy to clean
 Bright, modern appearance
 Manually operated version available

Standard accessories:

Leg holder
 1pair

Clamp	1pair	
Grab handle		1pair
Basin	1 pc	
Water proof cushion	1 set	
Cushion:	1 set (includes back cushion, Seat cushion and assist platform cushion)	
Electric wire	1 pc	

Technical Parameters:

Bed dimension including bed end and bumper wheel:
 Length 2000mm, Width 900mm
 Bed dimension: Length: 1800mm, Width: 860mm for back section, 660mm for seat section
 Bed height: lowest≤620mm, height≥920mm (without the cushion)
 Back section up: ≥70°
 Reversed Trendelenburg: ≥12°
 Trendelenburg≥12°
 Castor dia.: 125mm

Optional accessories:

I.V. stand: 1 pc
 Foot rest 1 pair



Electric ICU Bed (ABS Panels)



Specification:

Frame work made of rectangular M.S. tube perforated
CRC sheet top in four sections

Back rest, knee rest, TB/RTB and hi-lo positions
obtained by electric actuator operate by hand remote
system

ABS molded head and foot bows

Aluminum collapsible safety side railings

Telescopic IV rod with four locations

Bed mounted on 125 mm diameter castor-two with
brakes


Overall size: 210 (L) x 90 (W) x 60-80 (H) cm

Finish: Epoxy powder coated




Hospital ICU Beds

ICU Bed mechanical (ABS panel & ABS tuck away railing)

	<p>Specification: Frame work made of Rectangular M.S Tube 4 Section top made of perforated M.S Sheet Backrest, knee rest, TB/RTB and Hi-Lo Positions manoeuvred by separate screw from foot end ABS moulded. Head & foot panels ABS tuck away safety side railing Telescopic IV Rod with two locations Bed mounted on 125 mm dia castor with central Braking system. Overall Size 210x90wx60-80Hcms Finish Epoxy powder coated</p>
---	--

ICU Bed mechanical (ABS panels & S.S collapsible railing)

	<p>Specification: Frame work made of rectangular M.S. tube 4 section top made of perforated M.S. sheet Backrest, knee rest, TB/RTB and hi-lo positions manoeuvred by separate screw from foot end Height adjustment through hydraulic pump also. ABS moulded Head & foot bows S.S Collapsible safety side railing Telescopic IV rod with four locations Bed mounted on 125 mm diameter castor two with brakes Overall Size: 210 (L) x 90 (W) x 60-80 (H) cm Finish: Epoxy powder coated</p>
---	---



ICU Bed Mechanical (S.S panels & up & down railing)

	<p>Specification: Frame work made of rectangular M.S. tube 4 section top made of perforated M.S. sheet Backrest, knee rest, TB/RTB and hi-lo positions maneuvered by separate screw from foot end S.S panel castors two with brakes Overall Size: 210 (L) x 90 (W) x 60-80 (H) Head & foot bows and down side railing IV rod with four locations Bed mounted on 125 mm diameter castor cm Finish: Epoxy powder coated</p>
--	---

Hi Low ICU Bed (Hydraulic)

	<p>Specification: Overall approx. size: 2250 mm L X 1015mm W X 625/820mm H. Four separate screw for backrest, knee rest, Trendelenburg & reverse Trendelenburg positions Back section X-Ray translucent and three sections uniformly dimple ribbed perforated CR MS sheet top Hydraulic Height adjustment. Stainless steel tubular collapsible side rails. Rubber buffer on all corners. Stainless steel & laminated removable headboard & footboards. Stainless Steel telescopic IV rod & 4 flush IV locations O2 cylinder cage & X-Ray cassette holder in the back board. 125 mm dia heavy wheels, two with brakes. Pre-treated & epoxy powder coated.</p>
--	--

ICU Bed Mechanically (ABS panels & aluminum collapsible railing)

	<p>Specification: Frame work made of rectangular M.S. tube 4 section top made of perforated M.S. sheet Backrest, knee rest, TB/RTB and hi-lo positions maneuvered by separate screw from foot end ABS molded panels Four castors with two with brakes Overall Size: 210 (L) x 90 (W) x 60-80 (H) Head & foot bows Aluminum Collapsible safety side railing Telescopic IV rod with four locations Bed mounted on 125 mm diameter castor cm Finish: Epoxy powder coated</p>
--	---



SEMI FOWLER AND FOWLER BEDS

Semi-fowler bed (STD)



Specification:
Frame work of strong & precise steel tubes mounted on 10 cms dia Swivelling castors.
Having four section top of perforated CRCA sheet duly machine press bent.
Backrest and knee -rest sections manoeuvred by two separate screws.
Tabular head and foot bows of unequal height with vertical tube supports. Provisions for four saline locations
Size: 206L x 90W x 60 H cms
Finish: Epoxy Powder Coated

Semi-fowler bed (Deluxe)



Specification:
Size: 206 L x 91 W x 61 H Cms.
Frame Work of specially designed CRC Rectangular heavy Tubes,
Two Section Top of Uniformly Perforated CRC Sheets.
Backrest maneuvered by screw, at Legend. , S.S.
Bows are of equal height fitted with Laminated Panel.
Two Location Saline Hole.
Pretreated and Epoxy Powder Coated.




Hospital Recovery Bed

	<p>Specification: 2050mm L X 925mm W X 600 mm H Approx 60mm X 30 mm CRCA rectangular tube frame Two section perforated CRCA sheet top two separate screws for back rest, & reverse position by individual SS folding handles Detachable, 32 mm-dia SS bows with panels flush IV rod locations Pretreated & epoxy powder coated.</p>
---	---

Full fowler bed (STD)


	<p>Specification: 2050mm L X 925mm W X 600 mm H Approx 60mm X 30 mm CRCA rectangular tube frame Two section perforated CRCA sheet top two separate screws for back rest, & reverse position by individual SS folding handles Detachable, 32 mm-dia SS bows with panels flush IV rod locations Pretreated & epoxy powder coated.</p>
---	---

Full fowler bed (Deluxe)

	<p>Specification: Fowler Bed made of high quality materials, components and accessories. Four rest sheet metal top. Fowler Bed with adjustable back section and knee-rest. Manually operated crank system for various positions. Standard: SS panels & Up & down railing. Fowler Bed also available in ABS panels, ABS railings, collapsible aluminum/SS railings. High quality castors. Standard dimension: bed frame 2030mm L x 900 mm W x 600 mm H (approx). Pre-treated and powder coated Fowler Bed.</p>
---	---



Full fowler bed (ABS panels & ABS tuck away railing)

	<p>Specification: Hospital Fowler Beds made of high quality materials, components and accessories. Hospital Fowler Beds has four section sheet metal top. Hospital Fowler Beds with adjustable back section and knee-rest. Manually operated crank system for various positions. Standard: ABS Railing, ABS Panel. Fowler Beds also available in SS Panels, SS Railings, collapsible aluminum/SS railings. High quality castors. Standard dimension: bed frame 2030mm L x 900 mm W x 600 mm H (approx). Pre-treated and powder coated.</p>
---	--

Paediatric, Attendant & Plain hospital beds

Paediatric Bed

	<p>Specifications: Paediatric bed frame made of CRCA rectangular tubes of SWG. Paediatric bed Top mde of CRCA perforated sheet. Head and foot bows made of CRCA pipes with vertical tube supports. Paediatric bed mounted on rubber shoes swing/drop down side railing. Pre-treated and powder coated Paediatric beds. Dimension : 137 L x 76 W x 60 H cms (Approx.)</p>
---	--

Attendant Bed

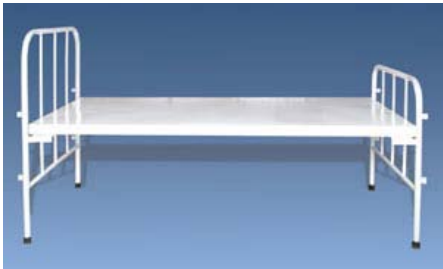
	<p>Specifications: Overall size : 187L x 60W x 46H cms. Frame work of mild steel CRC material. "H" type legs fitted with PVC stumps. Pre-treated and epoxy powder coated finish. Knockdown construction</p>
---	---



Hospital Plain Bed (wire mesh top)

	<p>Specifications: Frame work made of rectangular/ square M.S. tube Top made of welded wire mesh Tubular head & foot bows of unequal height Location for Four I. V Rod Overall Size: 198 (L) x 90 (W) x 60 (H) cm Finish: Epoxy powder coated.</p>
---	--

Hospital Plain Bed (sheet top)

	<p>Specifications: Frame work made of rectangular/ square M.S. tube Top made of welded wire mesh Tubular head & foot bows of unequal height Location for Four I. V Rod Overall Size: 198 (L) x 90 (W) x 60 (H) cm Finish: Epoxy powder coated.</p>
---	--



Operation Table

Electromatic Operation Table with Longitudinal Top



The five section table top is X-ray translucent and is equipped with removable, antistatic 50 mm thick mattress.

The base & column of the table is made of high quality medical stainless steel. Non- reflecting surface, antibacterial & is easy to clean.

The table equipped with long top sliding of 250 mm and in built battery backup.

Optional - Hanging Orthopedic Attachment including Pelvic Support, Tibia Nailing & Femur Nailing enables the limbs to perform strain free.

Height Adjustment, Lateral Tilts, Trendelenburg, and Flex - Reflex, Chair Position and Longitudinal Sliding top are realized by Remote control.

Head and Leg sections are detachable & interchangeable.

Technical Specification :

Top dimension L 2032 x W 550 mm

Height adjustment 787 mm – 1037 mm

Longitudinal Top 250 mm

Trendelenburg / Reverse 30° / 25°

Lateral tilt 20° / 20°

Kidney elevator 150 mm

Back Rest (up / down) 80° / 25°

Leg Rest (up / down) 15° / 90°

Head Rest (up / down) 20° / 60°


Power supply 24V DC

Battery Backup 2 – 3 hours

Patient Weight Capacity 300 Kgs (666 lbs)



Orthopedic Table


	<p>C-ARM Compatible Electromatic O.T. Table. Hanging Orthopedic Attachment is attached by the head side for orthopedic surgeries. The table column base is eccentric for easy C-ARM movements. During the operation, the extension allows selective positioning of the leg according to the surgeon's directions, at the same time, a minimum strain on the patient.</p> <p>The various positions such as Up – Down, Trendelenburg - Reverse Trendelenburg, Lateral Tilts, Flex - Reflex, Chair Position as realized by remote control.</p> <p>Leg section & head section are interchangeable.</p> <p>Technical Specification :</p> <p>Top dimension L 1930 x W 553 mm Height adjustment 762 mm – 1012 mm Trendelenburg / Reverse 30° / 25° Lateral tilt 20° / 20° Kidney elevator 150 mm Back Rest (up / down) 80° / 25° Leg Rest (up / down) 15° / 90° Head Rest (up / down) 20° / 60° Power supply 24V DC Battery Backup 2 – 3 hours (optional) Patient Weight Capacity 200 kgs (440 lbs)</p>
---	--

Electromatic Operation Table

	<p>The table has been made from acid proof, stainless steel (the face of the table is easy to clean and immune to disinfection agents). Strong & rust free base of stainless steel is provided to make the working conditions pleasant for the doctors & nurses.</p> <p>Optional - Orthopedic Attachment (hips and legs support) including the patient's pelvis support and legs support enables the limbs strain performing. Design of the attachment & eccentric column provides monitoring of the limbs with the C-ARM during the operation.</p> <p>The various positions such as Up – Down movements, Trendelenburg - Reverse Trendelenburg, Lateral Tilts, Flex - Reflex, Chair Position as realized by remote control.</p> <p>Leg section & head section are interchangeable.</p> <p>Technical Specification :</p> <p>Top dimension L 1930 x W 553 mm Height adjustment 762 mm – 1012 mm Trendelenburg / Reverse 30° / 25° Lateral tilt 20° / 20° Kidney elevator 150 mm Back Rest (up / down) 80° / 25° Leg Rest (up / down) 15° / 90° Head Rest (up / down) 20° / 60° Power supply 24V DC Battery Backup 2 – 3 hours (optional) Patient Weight Capacity 200 kgs (440 lbs)</p>
---	---



C-ARM Gearmatic Hydraulic Operation Table


	<p>Hydraulic and Mechanical Operated. The base is eccentric for trouble-free C-ARM movements. Leg & Head section are interchangeable.</p> <p>Technical Specification :</p> <p>Top dimension L 1905 x W 553 mm Height adjustment 762 mm – 1012 mm Trendelenburg / Reverse 30° / 25° Lateral tilt 20° / 20° Kidney elevator 150 mm Back Rest (up / down) 80° / 25° Leg Rest (up / down) 15° / 90° Head Rest (up / down) 20° / 60° Patient Weight Capacity 175 kgs (385 lbs)</p>
---	---

Super Deluxe Hydraulic Operation Table

	<p>The five section Stainless Steel table top is equipped with removable, antistatic mattresses. All the positions are realized by a mechanical driver. The table is furnished with hard, robust stainless steel shell which provides the sense of dirt free & sanitized operations.</p> <p>Technical Specification :</p> <p>Top dimension L 1830 x W 497 mm Height adjustment 762 mm – 987 mm Trendelenburg / Reverse 30° / 25° Lateral tilt 20° / 20° Kidney elevator 150 mm Back Rest (up / down) 80° / 25° Leg Rest (up / down) 15° / 90° Head Rest (up / down) 20° / 60° Patient Weight Capacity 120 kgs (264 lbs)</p>
---	---



C-ARM Hydraulic Operation Table

	<p>Five sections table top contains radiographic sheet of 12 mm and is equipped with assembled polyurethane 50 mm thick mattress is easy to disassemble & cleanse.</p> <p>Strong & rust free base of stainless steel is provided to make the working conditions pleasant for the doctors & nurses.</p> <p>Head & Leg Sections are detachable and interchangeable.</p> <p>Technical Specification :</p> <p>Top dimension L 1890 x W 510 mm Height adjustment 760 mm – 990 mm Trendelenburg / Reverse 30° / 30° Lateral tilt 20° / 20° Kidney elevator 150 mm Back Rest (up / down) 80° / 25° Leg Rest (up / down) 15° / 90° Head Rest (up / down) 20° / 60° Patient Weight Capacity 120 kgs (264 lbs)</p>
---	--




Halogen Operation Light

Ceiling shadowless twin OT light 7x4 Reflector

	<p>Technical Specification:</p> <p>Dome Dia : 70Cm + 55Cm Halogen Bulb : 12V - 55W X 11 Action Radius : 160 Cm Field Area : 20Cm Colour : 4200 K Power : 220V Ac/Dc Intensity : 1,00,000 Lux + 70,000 Lux</p>
---	---

Ceiling shadowless OT light Single Dome 7 Reflector


	<p>Technical Specification:</p> <p>Dome Dia : 70Cm Halogen Bulb : 12V - 55W X 7 Action Radius : 160 Cm Field Area : 20Cm Colour : 4200 K Power : 220V Ac/Dc Intensity : 1,00,000 Lux</p>
---	--

Ceiling shadowless OT light twin Dome 4 Reflector

	<p>Technical Specification:</p> <p>Dome Dia : 55Cm + 55Cm Halogen Bulb : 12V - 55W X 8 Action Radius : 160 Cm Field Area : 20Cm Color : 4200 K Power : 220V Ac/Dc Intensity : 70,000 Lux + 70,000 Lux</p>
---	---



Ceiling shadowless OT light single Dome 4 Reflector


	<p>Technical Specification:</p> <p>Dome Dia : 55Cm Halogen Bulb : 12V - 55W X 4 Action Radius : 160 Cm Field Area : 20Cm Colour : 4200 K Power : 220V Ac/Dc Intensity : 70,000 Lux</p>
---	--

Ceiling shadowless OT light twin Dome with dichroic Reflector

	<p>Technical Specification:</p> <p>Dome Dia : 22" +22" Halogen Bulb : 24V/150W Colour : 4200 K Power : 220V Ac/Dc Intensity : 1,10,000 Lux+1,10,000 Lux</p>
---	---



Ceiling shadowless OT light single Dome with dichroic Reflector

	<p>Technical Specification:</p> <p>Dome Dia : 22" Halogen Bulb : 24V/150W Colour : 4200 K Power : 220V Ac/Dc Intensity : 1,10,000 Lux</p>
---	---

Ceiling shadowless OT light twin dome

	<p>Technical Specification:</p> <p>Dome Dia : 48Cm + 48Cm Halogen Bulb : 24V/150W Colour : 4200 K Power : 220V Ac/Dc Intensity : 50,000 Lux + 50,000 Lux</p>
---	--



Ceiling shadowless OT light single dome


	<p>Technical Specification:</p> <p>Dome Dia : 48cm Halogen Bulb : 24v/150w Color : 4200 K Power : 220v Ac/Dc Intensity : 50,000 Lux</p>
---	---

Mobile shadowless OT light single dome with dichroic Reflector with battery backup

	<p>Technical Specification:</p> <p>Dome Dia : 22" Halogen Bulb : 24V/150W Colour : 4200 K Power : 220V Ac/Dc Intensity : 1,10,000 Lux</p>
---	---



Mobile shadowless OT light single dome with four reflector with battery backup

	<p>Technical Specification:</p> <p>Dome Dia : 55Cm Halogen Bulb : 12V - 55W X 4 Action Radius : 160 Cm Field Area : 20Cm Colour : 4200 K Power : 220V Ac/Dc Intensity : 70,000 Lux</p>
---	--

Mobile shadowless OT light single dome with dichroic Reflector


	<p>Technical Specification:</p> <p>Dome Dia : 22" Halogen Bulb : 24V/150W Colour : 4200 K Power : 220V Ac/Dc Intensity : 1,10,000 Lux</p>
---	---



Mobile shadowless OT light single dome with four reflectors

	<p>Technical Specification:</p> <p>Dome Dia : 55Cm Halogen Bulb : 12V - 55W X 4 Field Area : 20Cm Colour : 4200 K Power : 220V Ac/Dc Intensity : 70,000 Lux</p>
---	---

Mobile shadowless OT light single dome with four reflectors

	<p>Technical Specification:</p> <p>Dome Dia : 48Cm Halogen Bulb : 24V/150W Colour : 4200 K Power : 220V Ac/Dc Intensity : 50,000 Lux</p>
---	--



DELIVERY TABLES

Labour Delivery Room Bed



Overall Size : 1880L x 900W x 600-800H mm.
Tubular Frame work mounted on 125 mm dia castor two with brakes.
Three Section top made of MS pipe with fixed Cushioned mattress.
Trendlenburg / Reverse Trendlenburg Positions, Back section adjustment through manually.
Height adjustment through imported Hydraulic Pump.
Leg end section can slide under the main section.
Provided with a pair of upholstery lithotomy position.
SS telescopic IV Rod
Detachable SS Tray.

Obstetric Labour Tables Telescopic (Adjustable Height)



Approximate Dimensions: 72"L x 27"W x 24"-32"H.
Tubular frame work mounted on swivelling castors.
Stainless steel top in three sections.
Trendelenburg positions adjustable by pneumatic gas spring system.
Hydraulically height adjustable by foot paddle from side.
Backrest section adjustable on ratchet.
Leg end section can slide under the main section
A pair of knee crutches with height adjustable.
Finish: Pre treated & Epoxy powder coated.



Obstetric Labour Tables Telescopic (Fixed Height)



Approximate dimensions: 72"L x 27"W x 24" - 32"H.
Tubular frame work mounted on PVC stumps
Stainless steel top in three sections.
Trendelenburg Positions. Adjustable by pneumatic gas spring system.
Backrest section adjustable on ratchet.
Leg end section can slide under the main section.
Height adjustable a pair of knee crutches.
Pre treated & Epoxy powder coated.
Also available in complete stainless steel..

Gynaecological Delivery Bed (3 section top)



Specifications :
Constructed with MS rectangular steel tube
Adjustable head section
Leg section movable on castors, two with breaks
Top is covered with water proof synthetic material
Complete with SS bowl 32cm diameter, standard padded leg holders
Finish in epoxy powder coated

Size :
1830Lx610Wx800H



Gynaecological Delivery Bed (3 section top)



Specifications :
Constructed with MS rectangular steel tube
Adjustable head section
Leg section movable on castors, two with breaks
Top is covered with water proof synthetic material
Complete with SS bowl 32cm diameter, standard padded leg holders
Finish in epoxy powder coated

Size :
1830Lx610Wx800H

Delivery bed (Telescopic)



Approx. size - body section – 1000 (L) x 800 (W) x 750 (H) mm, Leg Section – 900 (L) mm
Bed labor and delivery made in 2 section, body section with legs mounted on tips
Leg section swivel castors with brakes Leg section can be completely recessed under the body section
Supports for legs holders with solid mechanism to fix leg holders at requested height & width
Filled mattress-pad and cover mattress pad in 2 sections
Supplied with 2 knee crutches adjustable in height & width knockdown construction
Epoxy powdered coated finish



Delivery Bed Telescopic in 2 Parts (2 Section top)

	<p>Approx. size - body section – 1000 (L) x 800 (W) x 750 (H) mm, Leg Section – 900 (L) mm Bed labor and delivery made in 2 section, body section with legs mounted on tips Leg section swivel castors with brakes Leg section can be completely recessed under the body section Supports for legs holders with solid mechanism to fix leg holders at requested height & width Filled mattress-pad and cover mattress pad in 2 sections Supplied with 2 knee crutches adjustable in height & width knockdown construction Epoxy powdered coated finish</p>
---	--



Surgical Examination Tables


Examination Table Plain

	<p>Specification: Examination Table Plain Size:183 L x 60 W x 80 H cms) Frame work of CRC tubes Legs fitted with PVC stumps. 5cms foam cushioned top covered with rexine. Pre-treated and Epoxy Powder coated.</p>
---	--

Examination Table (2 Section)

	<p>Specification: Approx. dimensions: 72" (L) x 24" (W) x 32" (H), Frame work rectangular & square steel tubes Adjustable back rest by hand lever 2 section cushioned top Legs fitted on PVC stands Pre - treated & epoxy powder coated</p>
--	---

Examination cum gynaecology table


	<p>Ms tubular construction. Legs fitted with rubber shoes. Two section top of double press bent CRCA sheet. Head section adjustable on ratchet. Complete with a pair of stainless steel lithotomy rods and rexine ankle straps. Perineal recess. Provision for fixing saline rod. Pre treated and epoxy powder coated. Supplied in knocked down condition.</p> <p>size:- 1830 mm (l) x 610 mm (w) x 760 mm (h)</p>
---	--



Gynaecological Examination Bed

	<p>Gynaecological examination couch stainless steel square tube Reclining with racks Part retractable feet under the seat equipped with a stainless steel bowl Trim high density foam (30 kg / m³) covered with fireproof vinyl Pairs of leg rest adjustable and adjustable table clamp Paper towel roll holder head end or foot end Size: 137-182 cm long, 61 cm wide, 86 cm high Model comes folded, easy installation</p>
---	---

Obstetric Delivery Tables Mechanically

	<p>Description : Approx. Dimensions: 72"L x 27"W x 30"H. Tubular frame work mounted on PVC stumps. Stainless steel top in three sections. Trendelenburg positions adjustable on screw mechanism by handle. Backrest section adjustable on ratchet system. A pair of knee crutches with height adjustable. Complete with self locking traction handle at side, I.V. Rod & mattress. Finish : Pre treated & Epoxy powder coated.</p>
---	--

Examination couch

	<p>Specification: Approx. dimensions: 72" (L) x 24" (W) x 32" (H), Frame work rectangular & square steel tubes Adjustable back rest by hand lever 2 section cushioned top Legs fitted on PVC stands Pre - treated & epoxy powder coated</p>
---	---



Patient Transfer Trolleys

Stretcher on trolley



Specification:
Dimensions: 213 (L) x 56 (W) x 81 (H) cm
Frame work of CRC tubes mounted on 15 cm castors
Removable stretcher top with chrome plated handle
Pre-treated and epoxy powder coated finish without
Mattress

Emergency recovery trolley Hydraulic



Specification:
Approx size: 210 (L) x 65 (W) x 65-95 (H) cm
Safety side railing, I.V. rod, storage tray & cylinder
cage
Removable X-ray cassettes
Adjustable height
Trendelenburg / rev. Trendelenburg 15 cm diameters
castors
Corner buffers pre-treated & epoxy powder coated

Emergency recovery trolley manual



Overall Approx. Size :
L 1980mm x W 710 mm x Height adjustable from
700mm to 890mm

Features:
Two sections removable & X-Ray permiable stretcher
top.
X-Ray cassette holder.
Height adjustment & Trendelenburg / Reverse
Trendelenburg position by screw & lever mechanism.
Oxygen cylinder cage.
I.V. Rod.
S.S. swing away type side railings.
Four heavy duty swivel castors of 125mm Dia. two with
brakes.
Buffers at four corners.
Pretreted & Epoxy Powder coated.



Stretcher on trolley with backrest

	<p>Specification: Overall Approx. Size: 210L x 56W x 81H cms Frame work made of Tubular MS Pipe Swing away type Safety Side Railing. Adjustable I.V. Rod. Two section foam padded top Backrest Adjustable. Trolley mounted on 15cms Dia castors - Two with Brakes Epoxy Powder Coated Finish</p>
---	--

Ambulance Stretcher


	<p>Light weight, strong structure, lovely design, good arts and crafts, easy antiseptis, small size, convenient to use. Utilizes high precision mechanical transmission. Can be used automatically folded through the left and right hand control handle. Made of high quality aluminium alloy tubes. Dimensions: A – High Position: 1900 x 560 x 900mm B – Low position: 1900 x 560 x 280mm Load weight: upto 120Kg Product weight: 40 Kg Diameter of the castors: 125mm Applicable for various kind of hospitals, emergency centers, ambulances and battle fields.</p>
---	--

Wheelchair Stretcher with Varied Positions

	<p>Automatic wheelchair type stretcher is mainly used to transport the sick, wooded outdoor. It's a necessary accessory on ambulances and could be folded as wheelchair in narrow stairs or elevators. This model is made of high quality aluminium alloy, with characteristics such as light weight, good appearance, reasonable configuration, convenience operation, antiseptis. Besides, it also can prevent rust and easy to clean. It has soft foam mattress on the surface and protecting block sidely. It's an easy operation stretcher.</p> <p>Technical parameter: (Product size)(L x W x H) : 190 x 59 x 85cm (Net weight) : 45kg (The bearing pressure): <159kg (Dimension of the packing box): 200 x 60 x 27cm (Gross weight): 55kg</p>
---	---



Wheel Chair Stretcher

	<p>Wheelchair type stretcher, made of high quality aluminium alloy, it is mainly used in some areas with difficult traffic or entry such as narrow halls, gangways, cloister or stair with several turnings.</p> <p>Technical Parameter :</p> <p>Folded Size : 93 x 51 x 16cm Folded into wheelchair : (Back height) 91 cm (Width) 50 cm (Seat-height) 49 cm (Width) 50 cm Net weight : 8kg Dimension of the packing box : 100 x 55 x 20cm Gross weight : 12kg</p>
---	--

Folding stretcher one fold

	<p>Specification: Size : (213 L x 56 W x 15 H cms) Aluminum poles but folding Well as weight wise. Max weight 7 Kg.</p>
---	---

Folding stretcher Two fold

	<p>Specification: Size: (213 L x 56 W x 15 H cms) Aluminum poles but folding Well as weight wise. Max weight 7.5 Kg. With Canvas carrying bag</p>
---	---



Hospital Trolleys

Cylinder trolley



Specification:
Tubular frame work on two 10 cms castors.
M.S. Sheet base plate.
Pre-treated and epoxy powder coated finish

Dressing Trolley




Specification:
Tubular frame powder coated with two heavy S.S. shelves.
Mounted as four castors 20cms.
Protective railing on four sides on both shelves.
Available with Bowl & Bucket.
Size: 76 x 51 x 90cm.



Instrument trolley

	<p>Specification: Tubular pipe framework, EPC finished Two shelves-Top & underneath of stainless steel sheet. Mounted on castor wheels.</p> <p>S.S. Top : Size A : 610 x 450 x 810mm (24"x18"x32") Size B : 680 x 450 x 810mm (27"x18"x32") Size C : 760 x 450 x 810mm (30"x18"x32")</p> <p>All Stainless Steel Size A : 610 x 450 x 810mm (24"x18"x32") Size B : 680 x 450 x 810mm (27"x18"x32") Size C : 760 x 450 x 810mm (30"x18"x32")</p>
---	--

Medicine trolley

	<p>Specification: Hospital Medicine Trolley with 4 Drawer Size:- 76L x 46W x 81 H cms Frame work of square CRC tubes mounted on 10cms castors. Two S.S. shelves with three side railing on top shelf. Two drawer under the each shelf. Pre-treated and epoxy powder coated finish</p>
---	---



Mayo's Trolley



Specification:
Specification:
Tray size S.S : 56 L x 40 W cms
Rectangular CRC tubes mounted on 5 cms castors,
height adjustable beside Knob.
Pre- treated and Epoxy Powder Coated Finish
Also available in S.S frame & tray

Crash cart



Specification:
Overall approx size: 940mm Lx490mm Wx1535mm H.
Six coloured removable bins and two polystyrene
lockable storage units with three drawers have each.
The top drawers have containers of different size.
Four swivel castors, 125 mm dia., two with brake.
Complete with corner buffers, powder coated oxygen
cylinder holder, S.S IV rod, S.S. shelves, cardiac
massage board.
S.S. tubular frame.



Emergency Trolley

	<p>Designed to manage a first-aid patient in emergency Easy to discharge Ergonomic designed push handle and efficient structure Pull-out sliding typed writing shelf makes efficient of space applications. Total lock key system. Colors: red, Blue, Pink, Green Upgraded efficiency of storing and mobility Each drawer has ABS basket with well organizing dividers Four 5" which wheels with brakes 780(L) x 490(D) x 920(H)</p>
---	--

Medicine Trolley with drawers

	<p>Overall Approx. Size : 76L x 46W x 81Hcms. Frame work of MS tubes mounted on 10 cms castors. 2 S.S. Shelves with 3 side railing on top shelves. 2 Drawers under the each shelf. Finish: Epoxy Powder Coated.</p>
---	---



Over Bed Tables

Over bed table sunmica top

 A rectangular over-bed table with a brown sunmica top and a silver metal frame. The frame has four legs, with the front two legs equipped with casters for mobility.	<p>Specification: Overall approx size: 1050mm x 400mm x 975mm. Rectangular Frame work mounted on 50 mm castors 750 mm x 400 mm Laminated Top. Pre Treated and Epoxy powder Coated.</p>
--	--

Over bed table manual


 A manual over-bed table with a light-colored laminated top and a silver metal frame. The frame has four legs, with the front two legs equipped with casters. The top is adjustable in height via a side knob.	<p>Specification: Rectangular frame work mounted on 5 cms castors. 30" x 16" laminated top adjustable by side knob. Pre-treated and Epoxy Powder Coated.</p>
---	--



Over bed table Gear operated

	<p>Specification: Rectangular frame work mounBed on cms castors. 30" x 16" laminaBed / Membrane pressed top Height Adjustable by gear handle. Pre-treaBed and Epoxy Powder CoaBed.</p>
---	--

Adjustable Overbed Table

	<p>Powder coating Wooden printing melamine laminate table top (non-tilt). 40mmx80mm outer support stainless tube 40mm square stainless tubing legs 80cmLx38cmW table top Fingertip pressure height adj.: 76cm-106cm Plastic caster x 4 pcs</p>
---	--



Deluxe Over bed table



Specification:
Table top size (approx): 76(l) x 40(w) cms.
Height adjustable (approx.) : 87 to 112 cms.
Crca mild steel tubular frame work.
Moulded table top with glass holder.
Moulded base cover, mobile on 5cms twin swivel castors.
Height adjustable with smooth pneumatic pump side lever.
Pretreated and powder epoxy finished.




Revolving Stool

Patient Stool Revolving S. S. Top

	<p>Specification: M.S. Tubular four legs fitted with PVC stumps. Adjustable height with S.S top, through screw. Pre-treated and Epoxy Powder Coated.</p>
---	--

Patient Revolving stool cushion top

	<p>Specification: Revolving Stool, Height adjustable with screw mechanism with 5 castors. Knockdown construction.</p>
---	---



Laboratory stool

	<p>Specifications:</p> <ul style="list-style-type: none">Upholstered seatEPC frameworkRevolving topHeight adjustable using pneumatic gas springPlastic base with wheels
---	---

Visitor stool

	<p>Specification:</p> <ul style="list-style-type: none">Size: 300mm sq x height 510 mmMachine Press Ms sheet top.Frame work of tubular steel legs mounted on rubber stumps.Finish in epoxy powder coated.
---	--



Doctor Stool

	<p>Special Technical Features An intelligent, maximum comfort seating support system for the consulting doctor. (Shape : circular, size : 38 x 8 cm) Smooth 360° rotation. Easy –to sit, poly urethane seat surface. In built gas cylinder enables smooth & efficient seat adjustments (Range 52 to 68 cm) Strong yet soft, semi spherical, height adjustable backrest, offers optimal elbow, upper body & back support. Stable, epoxy coated five pronged base. Sturdy smooth surfaced (chrome plated) bottom ring for footrest. Smooth movements through five high quality castors.</p>
---	--

Operation Chair

	<p>Custom-developed to satisfy ALL requirements ophthalmologists. The patient can be efficiently prepared for the operation, operated on, and offered post-operative care on, POT 06 Easy transformation from a smooth transportation chair into a versatile operation table. Ergonomic design, with various position settings. Multi-Adjustable Head Rest can be tilted independently and smoothly height- adjusted, enabling the patient's head to be kept in a convenient position. Ample leg-room for surgeons. High load-bearing, stable Castors wheel for easy movement. Hand control panel and foot control for all movements. Smooth, CE-marked TIWAN DC Motor-controlled chair lifting and back & forth positioning..</p>
---	--




Waiting area Chair

	<p>Specification: MS Tubular frame work Available in Two / Three / Four Seats</p>
---	---




Ward Furniture's

Bedside Screen

	<p>Specification: (66" H x 96" L) Tubular frame work mounted on 5 cms castors with curtains. Pre-treated and Epoxy Powder Coated.</p> <p>Specification: Overall Approx. Size : 1680 mm H x 2450 mm. MS tubular construction made of 19 mm x 18G in Four section LEQS made of 25 mm x 18G fitted with 50 mm Cla C8StOI'S Each span 610 mm vide Supplied with hooks and spring with curtain cloth Finish: Pre treated and Epoxy Powder Coated.</p>
---	--

Bed side locker (deluxe)

	<p>Specification: Hospital bedside lockers made of high quality sheet metal. SS top. Hospital bedside lockers Provided with one storage cabinet and single draw under the top and space for keeping utilities. Hospital bedside lockers optionally available without draw under the top Standard dimension: 160mm L x 160mm W x 320 mm H.</p>
---	---



Bed side locker (deluxe)

	<p>Specification: Hospital bedside lockers made of high quality sheet metal. SS top. Hospital bedside lockers Provided with one storage cabinet and single draw under the top and space for keeping utilities. Hospital bedside lockers optionally available without draw under the top Standard dimension:1 60mm L x 160mm W x 320 mm H.</p>
---	---

Bed side locker (Standard)

	<p>Specification: Bed side lockers made of high quality sheet metal. SS top. Hospital bedside lockers Provided with one storage cabinet. Bed sidelockers optionally available with single draw under the top and space for keeping utilities. Standard dimension:1 60mm L x 160mm W x 320 mm H.</p>
---	---



Foot Step Stool (single)



Specification:
Size:460 L x 250 W x 230 W mm.
Tubular ms steel frame work mounted on rubber shoes.
Single step with rubber mat surrounded by aluminum angle.
Finish in epoxy powder coated

Foot Step Stool (double)



Specification:
Size:460 L x 510 W x 460 H mm.
Tubular ms steel frame work mounted on rubber shoes.
Two step with rubber mat surrounded by aluminum angle.
Finish in epoxy powder coated



Baby Cradle



Specification:
(36" x 15" x 39")
M. S. tubular pipe.
Stand fitted with PVC stumps.
Wire mesh hanging cradle.
Finish : Pre-treated and Epoxy powder coated.

Baby bassinet



Specification:
Frame work made of ERW tubular pipe of 2.5 cms. dia.
Mounted on four 5 cms dia. castors.
Removable CRIB of poly glass tiltable to trendelenburg and R-trend positions.
Laminated bottom shelf with a spacious cabinet for storage.
Provision for monitor stand and drip rod available.
Pre-treated and epoxy powder coated..

Kick Bucket/ Bowl



Specification:
Approx...S.S. Bowl of 350 mm dia/ S.S. Bucket.
Framework made of MS/SS tubes.
Mounted on 75 mm castors.
Pre-treated and Epoxy Powder coated / Stainless Steel Frame.



Hand Wash Basin Stand (Double Basin)


	<p>Specification: Five Legs base mounted on 5cms dia castors. With two approx. 35 cms S.S. Basin. Finish: Pre-treated and Epoxy Powder Coated frame with Stainless Steel Basin. Also Available in All Stainless steel</p>
---	---

Hand Wash Basin Stand (single basin)


	<p>Specification: Five Legs base mounted on 5 cms dia castors. With one approx 35 cms S. S. basin. Finish: Pre-treated and Epoxy Powder Coated Frame with Stainless Steel Basin. Also Available in All Stainless steel</p>
---	--



Saline Stand

	<p>Specification: 5 Pronged base fitted with 5 cms dia castor. 12 mm S.S. Adjustable double hook I.V. Rod. To hold I.V.Rod at one fixed height by knob. A- Plastic Base with M.S./S.S. pipe. B- S.S. Base with S.S. Pipe. C- M.S. base with M.S. Pipe</p>
---	---

Soiled Linen Trolley with Canvas Bag

	<p>Specification: Frame work of CRC tube mounted on 10 cms castors. Superior quality canvas bag Pre-treated and Epoxy powder coated finish.</p>
---	---



Soiled Linen Trolley with Plastic Bucket



Specification:
Push handle at one end.
Frame work of CRC tube mounted on 10cms castors
Superior quality plastic bucket.
Pre-treated & Epoxy powder coated / Stainless Steel
Frame

Linen Change Trolley



Specification:
MS Tubular frame mounted on 10 cms Dia castors.
Three shelves made of MS Sheet
A Canvas Bag fitted on front side.
Epoxy Powder Coated Finish



Biomedical Waste Bin Trolley (PEDDLE OPERATED)



Specification:
Foot Operated peddle.
Made of powder coated / full stainless steel
30 Ltr. Capacity of each bin.
Movable Trolley with 4 castors two with break.

Biomedical Waste 2 Bin Trolley



Specification:
Overall Approx. Size 950 X 500 X 810mm.
Frame made of Stainless steel with two coloured Plastic Bins.
Foot Operated peddle.
Separate rings provided for holding of Plastic Bags.
50 Ltr. Capacity of each bin.
Trolley mounted on four castors (Two with Brake).



Biomedical Waste 2 Bin Trolley



mortuary chamber is double walled cooled units. Outer body of our mortuary chambers are constructed out of thick steel/ aluminum sheets, painted with long lasting stove enamel or elegantly powder coated. The inner chamber is made of heavy gauge stainless steel sheet of SS-304 grade or anodized aluminum sheet or G.I. (as per the customer's requirements). The 100 mm gap between the walls is filled high grade poly urethane insulation, which ensures maximum thermal efficiency.

Specifications:-

Structure

Stainless steel Interior + White Exterior

Insulation thickness

80mm (Polyurethane)

Doors number

1 Door / 3 Doors Optional

Door type

Fully Insulated

Refrigeration type

Ventilated

Temperature range

+2°C to +8°C / -10°C to -20°C

Temperature control / adjustment

Digital Electronic Thermostat

Defrosting type

Auto

Voltage

230V/1/50Hz

Capacity (bodies Number)

3

Safety key locking

Standard Fitted

Internal lighting

Standard Fitted

Dimension W x D x H

121 x 226 x 250 cm

Net Weight

450 Kg

Optional Accessoires :-


Data logger :- This is unique module which can be incorporated with our temperature and humidity control cabinet to log in temperature and environment related data with a help of data logger unit which has a pc connectivity this data is analyzed and formatted with the help of our unique user friendly analysis software to enable the user to get a formatted and analyzed reports of various inputs during the full operation cycle of the equipment this is an ideal module for pharmaceutical laboratories process control applications and high research projects where maintaining a viable record of the performance of the equipment is very essential.




Hospital office Furniture's

Storage systems

Office storage cabinet


	<p>Multipurpose storage cabinet with 4 adjustable shelves. Overall Size : H-1980 x W-915 x D-485 (mm) (H-78" x W-36" x D-19")</p>
---	---

Office Mini cabinet with locker

	<p>Mini wardrobe with 1 adjustable shelf & 1 full locker. Overall Size : H-1270 x W-760 x D-430 (mm) (H-50" x W-30" x D-17") Also available</p>
---	---



Glass door cabinet

	<p>Glass Door Cabinet with 4 adjustable shelves, 2 doors with 4 glass panels and lock, S.S. keys in duplicate. Overall Size : H-1980 x W-915 x D-485 (mm) (H-78" x W-36" x D-19")</p>
---	---

Pigeon hole Cabinet

	<p>pigeon-hole-cabinet Multi purpose pigeon hole cabinet with door and locking facility. Available in various sizes. Size of each PH: H-225xW-183 (mm) Overall size : H-1980 x W-915 x D-485 (mm) (H-78" x W-36" x D-19") Also available with 12, 24, 48, 72 pigeon hole.</p>
--	---

Sliding Glass Door cabinet

	<p>sliding-glass-cabinet Sliding Glass Door Unit with 4 adjustable Shelves. Overall size: H-1830 x W-900 x D-450 (mm) (H-72" x W-35.5" x D-18") Also available in small Size with 1 adjustable shelf.</p>
---	---



Personal Locker



personal-locker

Personal lockers available in 1,2,4,6 individual lockers for keeping personal belongings such as lunch box, hand bag, tool kit, uniform dress, helmet etc. shelf and Hanging rod are provided in 1 & 2 door locker model. Locker can be provided with lock or without lock.
Over all size : H-1830 x W-380 x D-457 (mm)
(H-72" x W-15" x D-18")

Light duty racks




Size : H-78" x W-36" x D-18"
slotted rack with 5 shelves making 4 compartments open type.


(Available in various sizes.)




Filing Cabinet

	<p>filling-cabinet 4 drawers filing cabinet with automatic Locking arrangement. Each drawers will be mounted on derlin ball bearings with double extension Telescopic channel. Size : H-1320 x W-470 x D-623 (mm) (H-51.9" x W-18.5" x D-24.5")</p> <p>Clear inside dimension of each drawer Size : H-250 x W-385 x D-560 (mm)</p> <p>Also available in 2 drawers</p>
---	---

Book Case


	<p>4 doors Book case in latest design with glass panels, inside sliding glass Shutter, lock & S.S. common keys in duplicate. Overall size : H-1740 x W-915 x D-320 (mm) (H-68.5" x W-36" x D-12.6")</p> <p>Book Case with top Overall size : H-940 x W-915 x D-320 (mm) H-37" x W-36" x D-12.6"</p>
---	---

Sliding door cabinet

	<p>Sliding Door Unit fitted with PLB top, provided with adjustable shelf. Overall size: H-685xW-863xD-406 mm (H-27" x W-34" x D-16") Also available in various Size.</p> <p>(with 2 shelves) Over all size: H-910 x W-1193 x D-480 mm (H-36" x W-47" x D-19")</p>
---	---




Lateral filing cabinet

	<p>Executive 2 drawers Lateral Filing Cabinet fitted with anti rebound mechanism and anti tipping mechanism , for storage of confidential & important file, fitted with curvica top for additional work space next to the main desk All drawers mounted on double extension telescopic channel for smooth movement. Overall size: H-680 x W-914 x D-463 mm (H-26.7" x W-35.9" x D-18")</p>
---	--

Computer table with pullout tray for keyboard

	<p>3 drawer unit, knee perforated panel & full shelf. Overall Size : W-137 x D-76 x H-75 (cm) [54" x 30"] Also available Overall Size : W-120 x D-60 x H-75 (cm) [48" x 24"]</p>
---	---

Integrated workstation

	<p>Table with steel frame and 3 drawers, pullout tray for keyboard & collecting tray for printout. (Depth 105 cm when keyboard is pulled out) Overall Size : W-145 x D-76 x H-75 (cm) [57" x 30"]</p>
---	---



Office Desking systems

Executive Table



Executive table, both side storage unit of special size. 2 drawers cum filing drawer & a center drawer, mounted on telescopic channel. Drawers are provided separate compartments. from side of storage units provided with wooden paneling. Perforated knee cover. Overall Size of curvica top: W-180xD-90 cm
Height of table 72.5 (cm)

Executive Desk cum Table



Size of the Main Top: W-182xD-90xH-73.5 (cm)
Size of the Executive Runner Unit (ERU): W-90xD-45 cm

Office table 5 drawers



Office table with round tubular frame, 3 drawer unit in one side and drawer cum filing drawer on the other side with a foot rest.
Table Top Size: L-136 x D-68 x H-64 (cm) [54" x 27"]



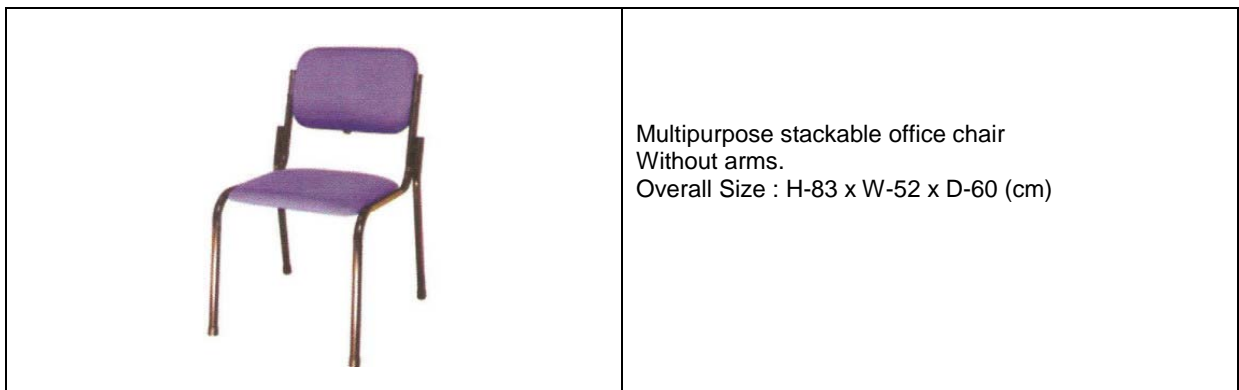
Office table 3 drawers



Office table 4 drawers




Office chair without arm –stackable





Office chair with arms

	<p>Full arm multipurpose chair, with fabric Upholstery. Overall Size : H-91.5 x W-53.5 x D-61 (cm)</p>
---	--

Training room chair


	<p>Senior Executive training room chair. Overall Size : H-92 x W-65 x D-65 (cm)</p>
--	---

Staff training room chair

	<p>staff training room chair Width: 57.5 cm (desk in use) Width: 59.5 cm (desk let folded condition) Depth: 68 cm Height: 81.5 cm seat height 45 cm</p>
---	---



Duel Staff training room chair

	<p>dual executive training chair, cushioned seat & back. Overall Size : H-83 x W-115 x D-57 (cm)</p>
---	--

Revolving Office Chair

	<p>Available in different shapes and designs Durable Lightweight Very comfortable</p> <p>Sizes: Clients are satisfied by our elegant range of office chairs that are available in customized sizes..</p>
---	--

Double desk steel beds

	<p>Double Deck Steel Beds for hostels & barrack. Manufactured from prime quality ERW tubular frame & CRCA sheet. Overall Size : H-66" x L-80" x D-30"</p>
---	---



Double desk steel beds (Z type)



Double Deck Z type Beds for
Doctors residing rooms and hostels & barrack to
ensure air flow for both
Occupants.
Overall Size : H-66" x L-80" x D-45"

6 seater dinning table



six seater dining table set crafted from
wooden top & frame with cushioned chair.
Overall Size of the table : W-1500 x D-900 x H-750
mm
Overall Size of the chair : W-400 x D-470 x H-900 mm
Seat Height : 440 mm



Executive Sofa set



Teapoy (glass wood)



Teapoy (glass steel)

